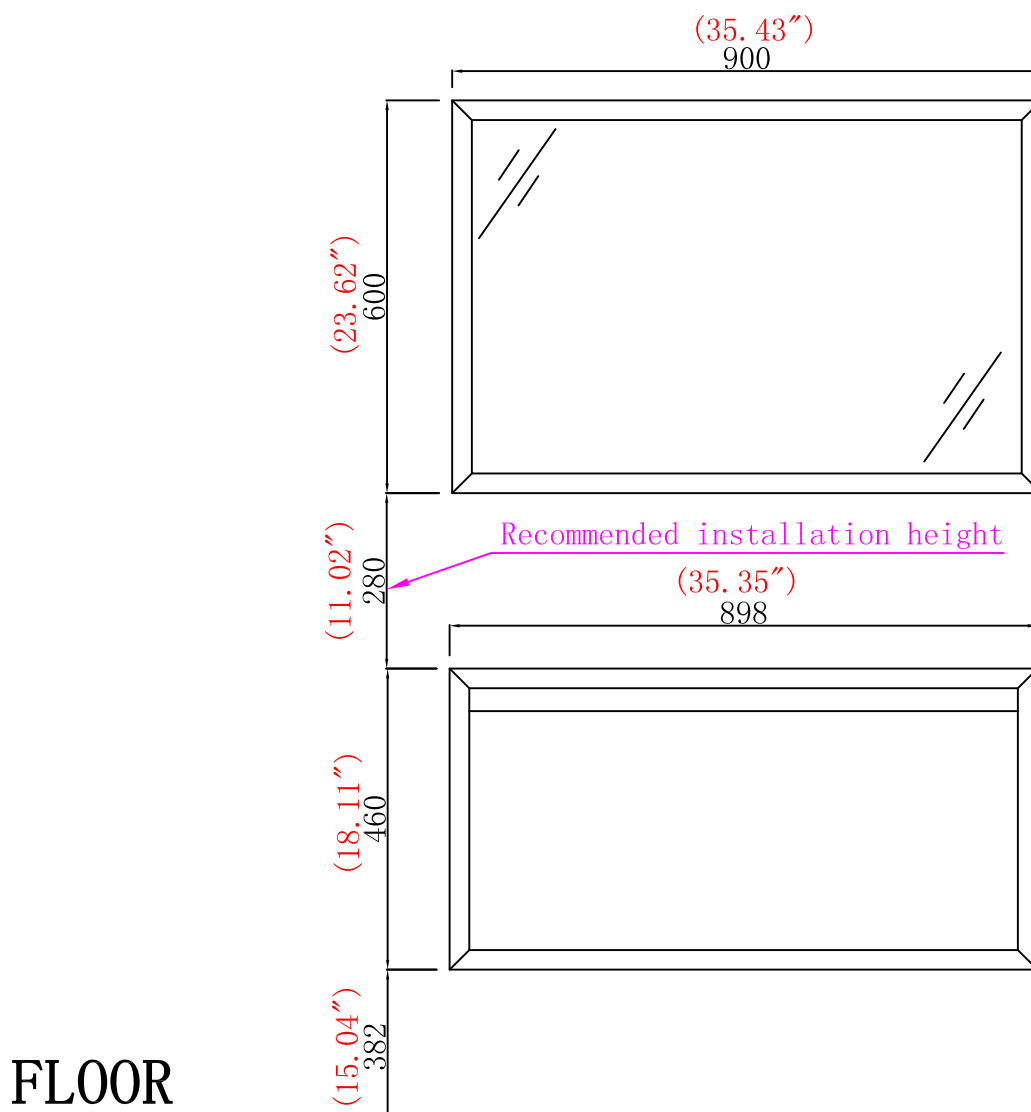




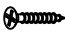



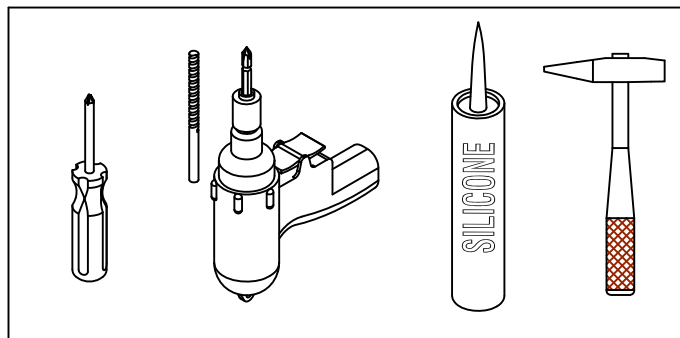
Item No. :UR36 (URM36)



## Hardware

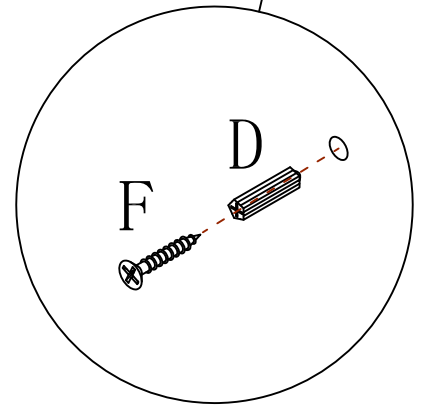
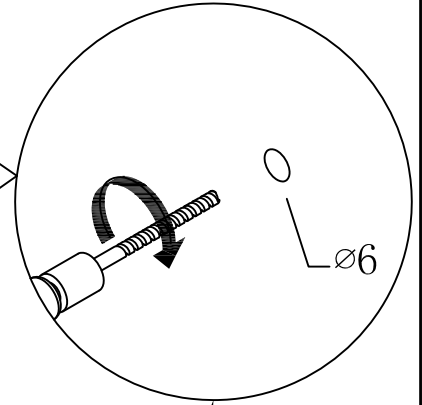
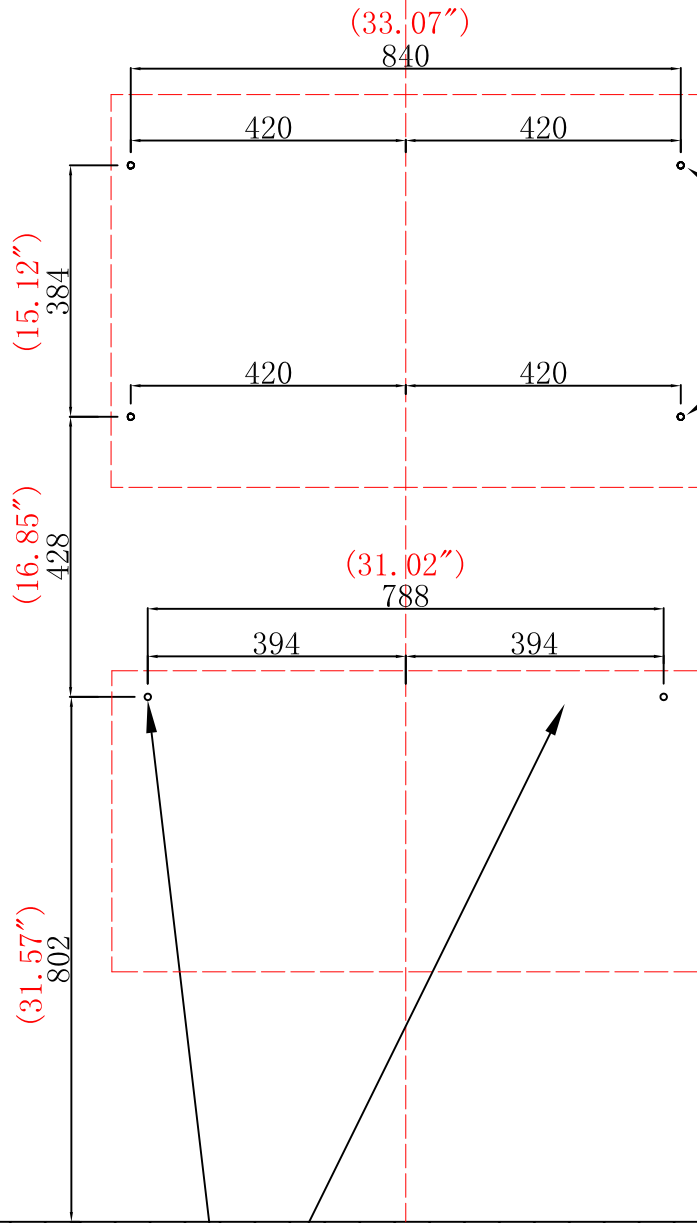
NO.	Draw	QTY
A		2
B		2
C		2
D		4
F	 (3.5*60)	4
G	 (3.5*14)	8

## Tools

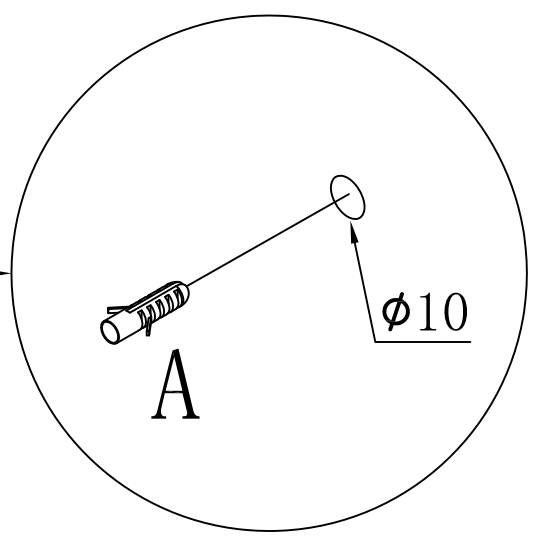
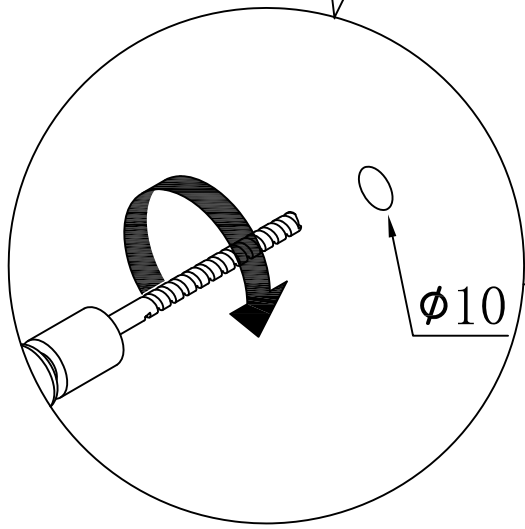


Step 1

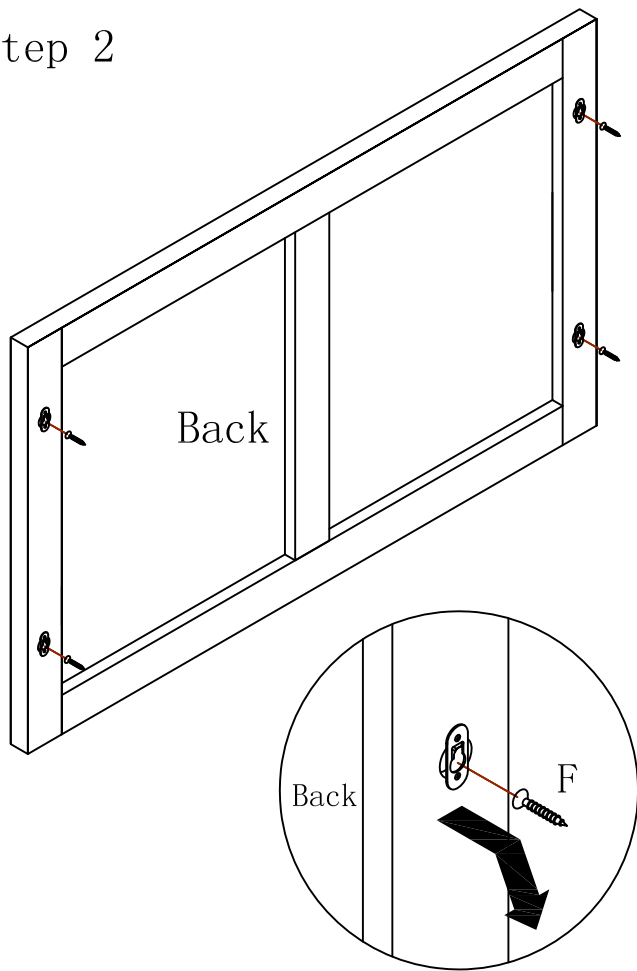
WALL



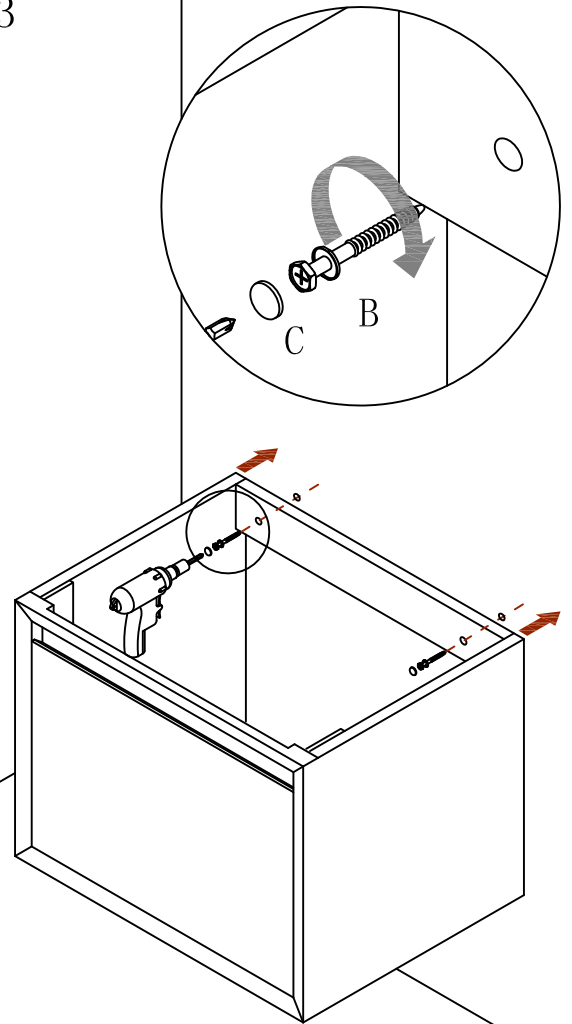
FLOOR



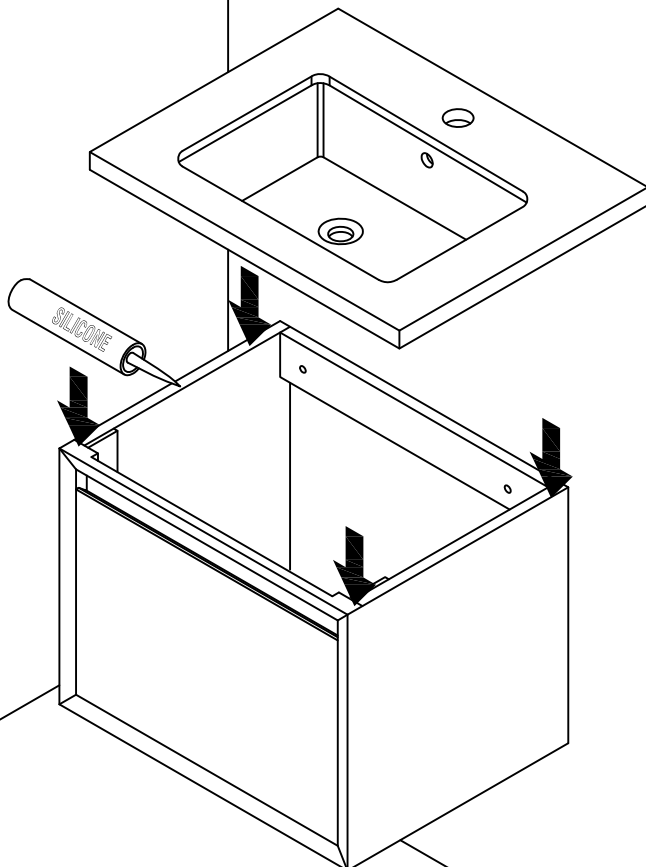
Step 2



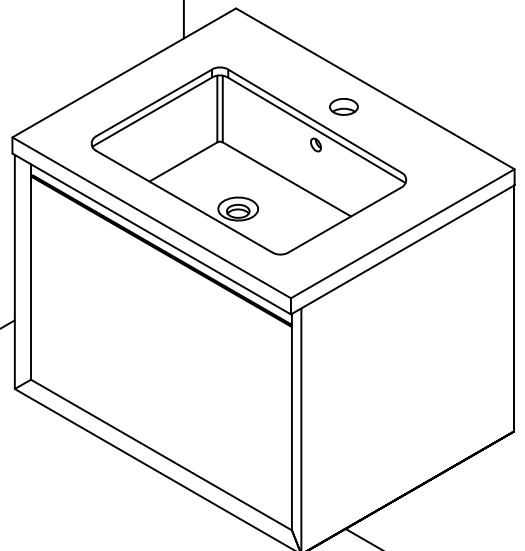
Step 3



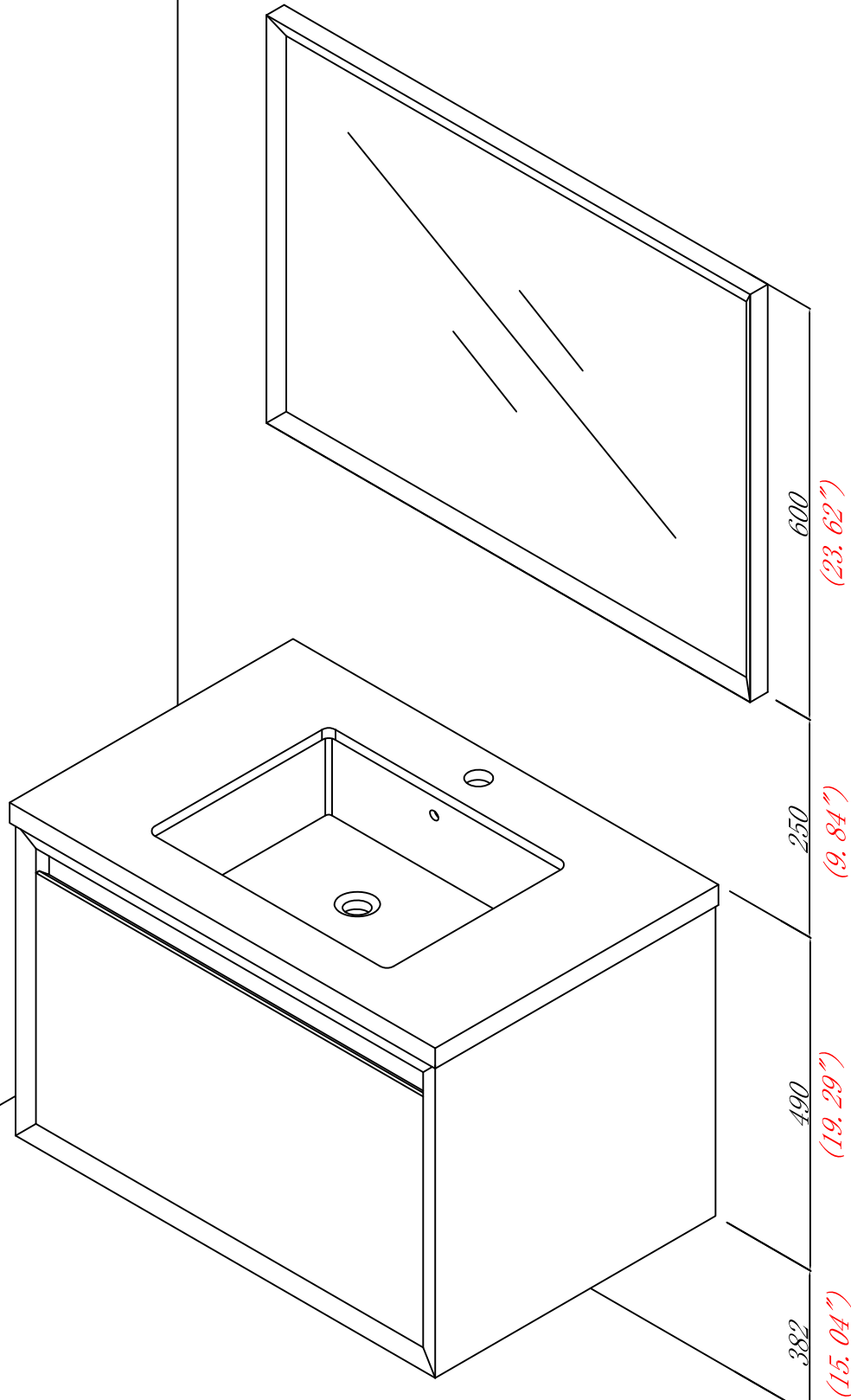
Step 4



Step 5



Finished



# Black Metal Legs Installation Instruction

